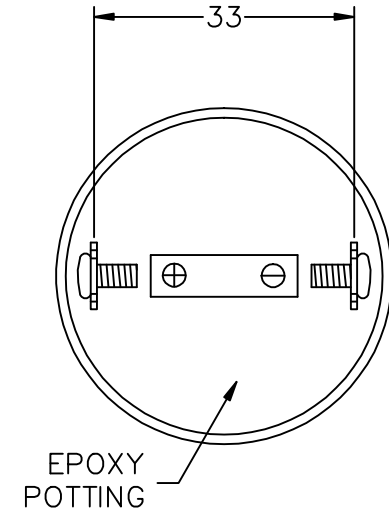
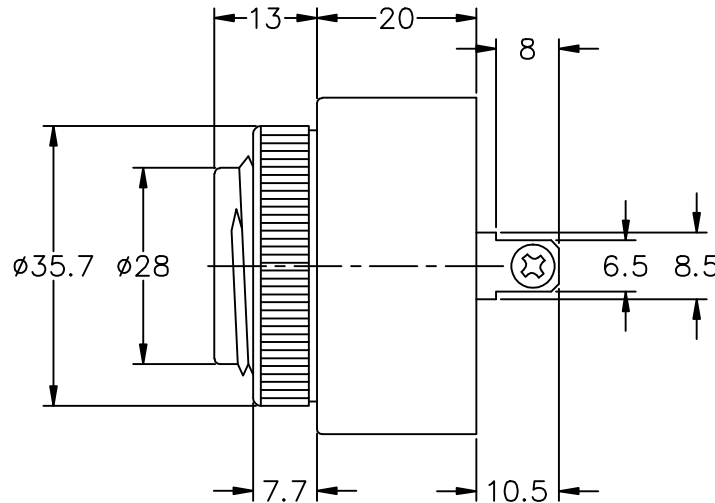
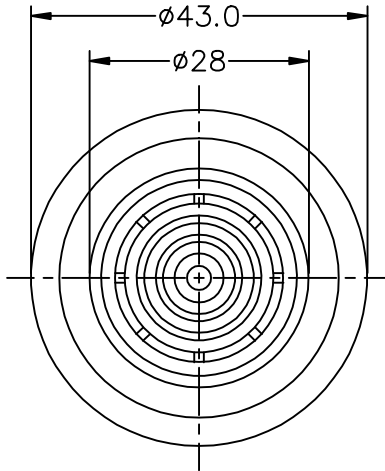


THIS DOCUMENT CONTAINS DATA PROPRIETARY TO PROJECTS UNLIMITED, INC. ANY USE OR REPRODUCTION, IN ANY FORM, WITHOUT PRIOR WRITTEN PERMISSION OF PROJECTS UNLIMITED, INC. IS PROHIBITED.
 ©2005, Projects Unlimited Inc.

SPECIFICATIONS

PARAMETERS	VALUES	UNITS
RATED VOLTAGE	110	Vdc
OPERATING VOLTAGE RANGE	20 ~ 130	Vac/Vdc
RATED CURRENT (MAX)	17	mA
MINIMUM SPL @ 10 CM	98	dBA
RESONANT FREQUENCY	2800±500	Hz
tone OR PULSE RATE	CONTINUOUS	Hz
OPERATING TEMPERATURE	-20 ~ +60	°C
STORAGE TEMPERATURE	-30 ~ +70	°C
HOUSING MATERIAL	ABS	-
TERMINAL MATERIAL	Ni PLATED BRASS	-
WEIGHT	43	grams

REVISIONS			
LTR	DESCRIPTION	DATE	APPROVED
-	RELEASED FROM ENGINEERING	3/22/06	
A	REVISED TONE OR PULSE RATE	1/29/07	R.W.
B	REVISED OPERATING VOLTAGE RANGE	11/30/07	B.R.



NOTES:

1. ALL DIMENSIONS ARE IN MILLIMETERS.
2. SPECIFICATION SUBJECT TO CHANGE OR WITHDRAWAL WITHOUT NOTICE.
3. THIS PART IS RoHS 2002/95/EC COMPLIANT

FILE NAME
AI-4328-P-C120D-R.DWG

UNLESS OTHERWISE SPECIFIED:
DIMENSIONS ARE IN MILLIMETERS, TOLERANCES ARE ±0.5 AND ANGLES ARE ±3°.

APPROVALS	DATE
DRAWN <i>TG</i>	3/06
CHECKED <i>BR</i>	3/06
APPROVED <i>EP</i>	3/06

DO NOT SCALE DRAWING



projects®
unlimited

Dayton, Ohio

INDICATOR

SIZE
A

DRAWING NO.
AI-4328-P-C120D-R

SCALE: N.T.S.

SHEET 1 OF 1